

SY5L & SY6L SERIES LED WORK LIGHTS

TOTALSOURCE®

FEATURED PRODUCTS

Illuminator®

SY5L & SY6L Series

Specifications:

- Voltage: 12VDC
- Light Source: 5 or 6 LED
- Light Output: 500 lumens (On Both LED models)
- Output: 15 Watts (5 LED models)
18 Watts (6 LED models)
- Current Draw: Less than 1.5 AMP
- Beam Pattern: Flood
- Housing: Cast aluminum alloy
- Mounting Hardware: Stainless steel
- Lens: Polycarbonate with high light transmission
- Mount: Pedestal with wire leads
- Operating Temperature: -40 to +65° C

Features:

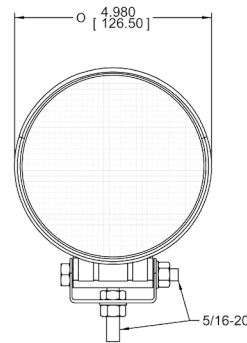
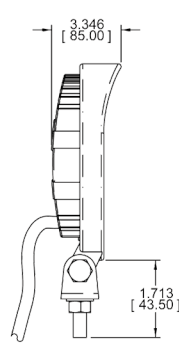
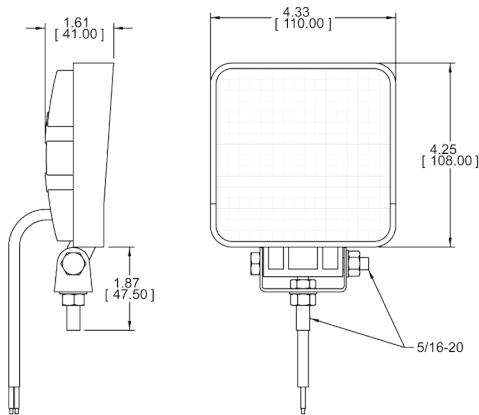
- 1 year warranty
- Water resistant, dust proof and vibration proof



SY5LCWLS



SY6LCWLR



Part #	Description
SY5LCWLS	12VDC Light, 5 LEDs, Square
SY6LCWLR	12VDC Light, 6 LEDs, Round